

190-823-101 42" 2-Stage Snow Thrower (2005)  
Drive & Controls

Page 2 of 7

| Ref # | Part Number | Qty | S/P/F | Description                        |
|-------|-------------|-----|-------|------------------------------------|
| 1     | 611-0132    | 1   | S     | Rod Assembly                       |
| 2     | 684-0150    | 1   |       | RH Support Plate Assembly          |
| 2     | 684-0151    | 1   |       | LH Support Plate Assembly          |
| 3     | 683-0298    | 1   |       | Lift Bracket Assembly              |
| 4     | 710-0514    | 1   | /P    | Hex Cap Screw, 3/8-16 x 1.0        |
| 5     | 710-0964A   | 1   |       | Hex Cap Screw, 5/8-18 x 1.31       |
| 6     | 710-3008    | 1   | /P    | Hex Cap Screw, 5/16-18 x .75       |
| 7     | 711-0332    | 1   | S     | Clevis Pin, .5 x .78               |
| 8     | 712-0386A   | 1   | /P    | Slotted Hex Nut, 5/8-18            |
| 9     | 712-3004A   | 1   | /P    | Flange Lock Nut, 5/16-18           |
| 10    | 712-3017    | 1   | S     | Hex Nut, 3/8-16                    |
| 11    | 712-3022    | 1   | /P    | Hex Lock Nut, 1/2-13               |
| 12    | 714-0470    | 1   | S     | Cotter Pin, 1/8 x 1.25             |
| 13    | 714-0474    | 1   | S     | Cotter Pin, .125 x .75             |
| 14    | 716-0102    | 1   | S     | Snap Ring                          |
| 15    | 732-0987    | 1   |       | Compression Spring, .72 x 2.25     |
| 16    | 736-0272    | 1   | S     | Flat Washer, .51 x 1.0 x .060      |
| 17    | 736-0366    | 1   | /P    | Flat Washer, .64 x 1.12 x .125     |
| 18    | 736-0452    | 1   | S     | Bell Washer, .396 x 1.14 x .095    |
| 19    | 736-3069    | 1   |       | Flat Washer, .531 x .875 x .15     |
| 20    | 738-0234    | 1   |       | Shoulder Screw, .5 x .29, 3/8-16   |
| 21    | 741-0170    | 1   | S     | Flange Bearing w/ Flats            |
| 22    | 747-1191    | 1   |       | Handle Rod                         |
| 23    | 747-1192    | 1   |       | Rod, 1/2 x 11.55                   |
| 24    | 783-0876    | 1   |       | Link, 5.875                        |
| 25    | 783-0877    | 1   | S     | Link, 15.3                         |
| 26    | 783-0878    | 1   | S     | Link, 13.25                        |
| 27    | 783-1274A   | 1   | S     | Heat Shield                        |
| 28    | 703-2728A   | 1   |       | Snow Thrower Lift Bracket          |
| 29    | 710-1268    | 1   | /P    | Hex Index Washer Screw #10-16 x    |
| 30    | 710-3143    | 1   | /P    | Pan Phillips Screw, #10-24 x .75   |
| 31    | 710-3180    | 1   | /P    | Hex Cap Screw, 5/16-18 x 1.75      |
| 32    | 712-0127    | 1   | /P    | Flat Weld Nut, #10-24              |
| 33    | 715-0114    | 1   | S     | Heavy Duty Spirol Pin, 1/4 x 1.5   |
| 34    | 720-0274    | 1   | /P    | Handle Grip                        |
| 35    | 725-0157    | 1   | /P    | Cable Tie                          |
| 36    | 732-0306    | 1   | S     | Compression Spring, .406 x .531 x  |
| 37    | 736-0140    | 1   | S     | Flat Washer, .385 x .62 x .063     |
| 38    | 736-0400    | 1   | S     | Flat Washer, .194 x .62 x .063     |
| 39    | 746-1103    | 1   | S     | Lift Cable, 42" w/ Trigger Control |
| 40    | 747-1203    | 1   |       | Lift Index Rod                     |
| 41    | 750-1221    | 1   |       | Lift Handle Tube                   |
| 42    | 618-0411    | 1   | S     | Spindle Assembly                   |
| 43    | 683-0306    | 1   | S     | Pulley Mounting Bracket            |
| 44    | 710-0347    | 1   | /P    | Hex Cap Screw, 3/8-16 x 1.75       |
| 45    | 710-1260A   | 1   | /P    | Self Tapping Screw, 5/16-18 x .75  |
| 46    | 711-0310    | 1   | S     | Clevis Pin, .5 x 1.18              |
| 47    | 711-1000    | 1   | S     | Belt Keeper Pin                    |
| 48    | 711-1421    | 1   |       | Clevis Pin, 3/8 x .75              |
| 49    | 712-0291    | 1   | S     | Hex Lock Nut, 1/4-20               |
| 50    | 712-0431    | 1   | S     | Hex Flange Lock Nut, 3/8-24        |
| 51    | 712-3010    | 1   | S     | Hex Nut, 5/16-18                   |
| 52    | 714-0145    | 1   | S     | Hex Nut, 1/2-13 x 1.64             |

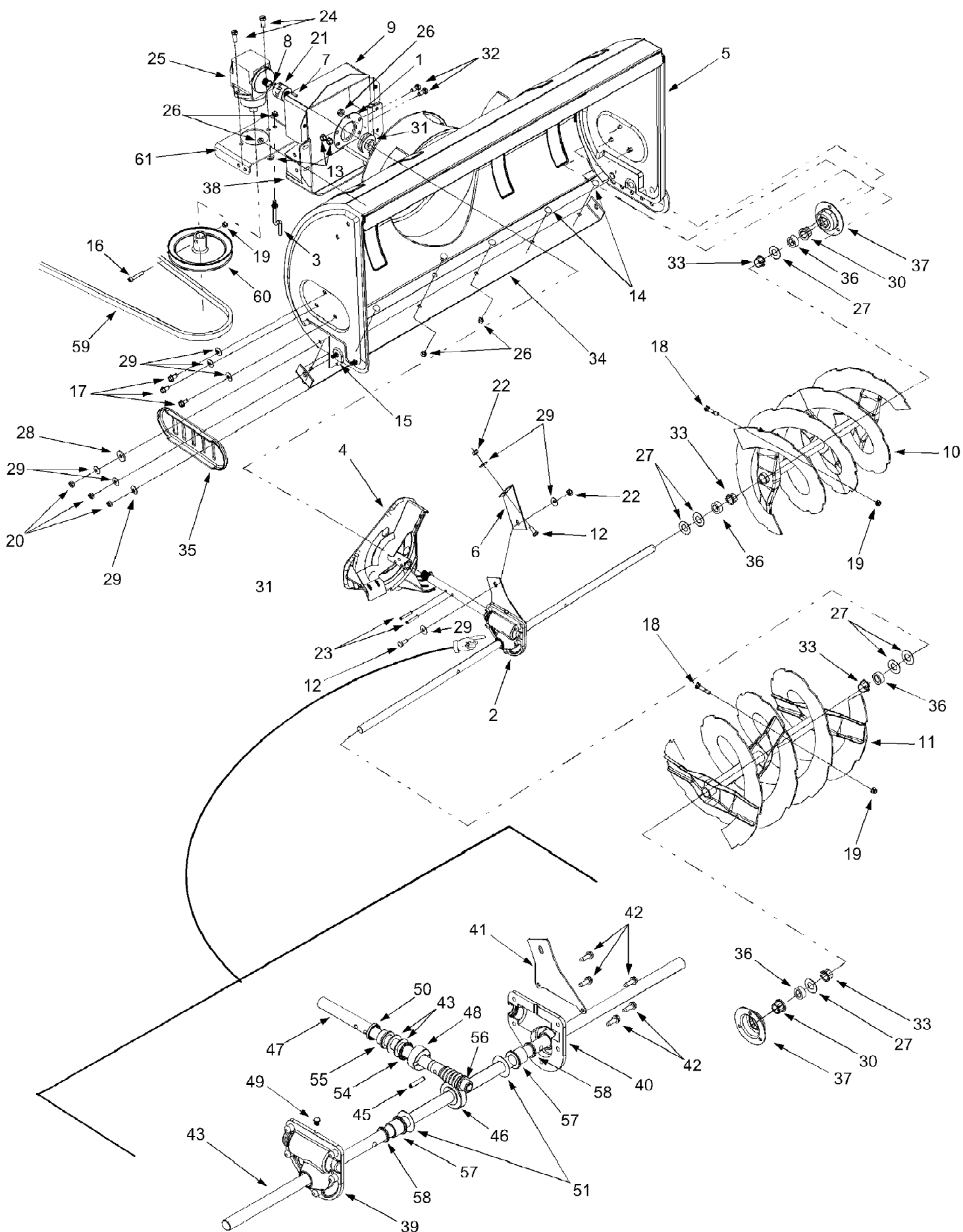
| Ref # | Part Number | Qty | S/P/F | Description  |
|-------|-------------|-----|-------|--|
| 53    | 714-0147    | 1   |       | Internal Cotter Pin, .125 x 1.75   |
| 54    | 732-1013    | 1   |       | Belt Guard   |
| 55    | 736-0192    | 1   | S     | Flat Washer, .531 x .93 x .09  |
| 56    | 756-0981A   | 1   | S     | Idler Pulley, Flat 2.75 OD   |
| 57    | 736-3072    | 1   | /P    | Flat Washer, .38 x .93 x .11   |
| 58    | 738-0145    | 1   | S     | Shoulder Screw, 3/8-16, .5 x .835,   |
| 59    | 749-1104    | 1   | S     | RH Support Tube  |
| 59    | 749-1103    | 1   | S     | LH Support Tube  |
| 60    | 754-0371A   | 1   | S     | Upper V-belt Electric PTO. Refer to Owner's Manual for additional information.                             |
| 60    | 754-0435    | 1   | S     | Upper V-belt 38 & 42 Decks Dual-Belt Drive Manual PTO. Refer to Owner's Manual for additional information. |
| 60    | 754-0481    | 1   | S     | Upper V-belt 42 & 46 Decks Manual PTO. Refer to Owner's Manual for additional information.                 |
| 60    | 754-0490    | 1   | S     | Upper V-belt 46 Deck Garden Tractor Manual PTO. Refer to Owner's Manual for additional information.        |
| 61    | 756-0487    | 1   | /P    | Idler pulley, 4" Diameter  |
| 62    | 710-0151    | 1   | /P    | Hex Cap Screw, 3/8-24 x 2  |
| 63    | 710-0521    | 1   | /P    | Hex Cap Screw, 3/8-16 x 3  |
| 64    | 711-0242    | 1   | S     | Spacer   |
| 65    | 712-0116    | 1   | S     | Nylon Jam Lock Nut, 3/8-24   |
| 66    | 712-0241    | 1   | /P    | Hex Nut, 3/8-24  |
| 67    | 732-0978    | 1   |       | Extension Spring, .620 x 5.62  |
| 68    | 736-0169    | 1   | S     | Lock Washer, 3/8   |
| 69    | 738-0347    | 1   | S     | Shoulder Spacer, .625 x .169   |
| 70    | 756-0627B   | 1   | S     | Idler Pulley, 3.5" Diameter  |
| 71    | 784-5727    | 1   | S     | Idler Pivot Arm  |
| 72    | 710-0262    | 1   | /P    | Carriage Bolt, 5/16-18 x 1.5   |
| 73    | 710-0805    | 1   | /P    | Hex Cap Screw, 5/16-18 x 1.5   |
| 74    | 714-0507    | 1   | S     | Cotter Pin, 3/32 x .75   |
| 75    | 715-0129    | 1   |       | Spirol Pin, .125 x .82   |
| 76    | 715-0138    | 1   | S     | Rolled Pin, 1/8 x .63  |
| 77    | 720-0201A   | 1   | /P    | Crank Knob   |
| 78    | 726-0100    | 1   | S     | Push Cap, 3/8 ID   |
| 79    | 735-0234    | 1   |       | Rubber Grommet , .44 x .94 x .5  |
| 80    | 736-0242    | 1   | /P    | Bell Washer, .34 x .872  |
| 81    | 736-0451    | 1   | S     | Saddle Washer, .32 x .93   |
| 82    | 741-0475    | 1   | S     | Plastic Bushing  |
| 83    | 746-1108    | 1   |       | Chute Cable, 62"   |
| 84    | 746-1109    | 1   |       | Chute Cable w/ Clip, 62"   |
| 85    | 747-0697    | 1   | /P    | Eye Bolt   |
| 86    | 747-0932    | 1   |       | Rod, .375 x 11.375   |
| 87    | 747-1201    | 1   | S     | Chute Crank Rod, .375 x 33   |
| 88    | 750-1231    | 1   |       | Support Chute Tube   |
| 89    | 784-5149    | 1   | S     | Joint Block Assembly   |
| 90    | 603-0302    | 1   | S     | Chute Tilt Bracket Assembly  |
| 91    | 684-0061    | 1   | S     | Chute Crank Assembly   |
| 92    | 703-2735A   | 1   |       | Chute Crank Bracket  |

190-823-101 42" 2-Stage Snow Thrower (2005)  
Drive & Controls

Page 4 of 7

| Ref # | Part Number | Qty | S/P/F | Description                           |
|-------|-------------|-----|-------|---------------------------------------|
| 93    | 705-5226    | 1   |       | Chute Reinforcer                      |
| 94    | 710-0276    | 1   | /P    | Splined Carriage Screw, 5/16-18 x 1.0 |
| 95    | 712-3000    | 1   | S     | Hex Lock Nut, 3/8-16                  |
| 96    | 710-0703    | 1   | /P    | Screw, 1/4-20 x .75                   |
| 97    | 710-0896    | 1   | /P    | Hex Index Washer Screw, 1/4-14 x      |
| 98    | 710-3015    | 1   | /P    | Hex Cap Screw, 1/4-20 x .75           |
| 99    | 712-0324    | 1   | /P    | Nylon Hex Lock Nut, 1/4-20            |
| 100   | 712-0429    | 1   | S     | Nylon Hex Lock Nut, 5/16-18           |
| 101   | 712-3027    | 1   | S     | Hex Flange Lock Nut, 1/4-20           |
| 102   | 720-0232    | 1   | S     | Knob                                  |
| 103   | 731-0851A   | 1   | /P    | Chute Flange Keeper                   |
| 104   | 731-1300B   | 1   | S     | Lower Chute                           |
| 105   | 731-1313C   | 1   | /P    | Chute Tilt Cable Guide                |
| 106   | 731-1320    | 1   | S     | Upper Chute                           |
| 107   | 731-1379C   | 1   | S     | Adapter Chute                         |
| 108   | 736-0231    | 1   | S     | Flat Washer, .344 x 1.125 x .125      |
| 109   | 736-0463    | 1   | S     | Flat Washer, .25 x .63 x .0515        |
| 110   | 784-5594    | 1   |       | Cable Bracket                         |
| 111   | 784-5604    | 1   | S     | Chute Tilt Handle                     |
| 112   | 784-5647    | 1   | S     | Chute Crank Bracket                   |
| 113   | 710-04071   | 1   |       | Carriage Screw, 5/16-18 x 1.0         |

190-823-101 42" 2-Stage Snow Thrower (2005)  
General Assembly



| Ref # | Part Number | Qty | S/P/F | Description                        |
|-------|-------------|-----|-------|------------------------------------|
| 1     | 05931A      | 1   | /P    | Bearing Housing, 1.85 ID           |
| 2     | 618-0407    | 1   |       | Auger Gear Case (Incl. Ref. 39-58) |
| 3     | 747-1257    | 1   |       | Belt Keeper Rod                    |
| 4     | 684-0158    | 1   | S     | Impeller Assembly, 12"             |
| 5     | 684-0148    | 1   |       | Housing Assembly                   |
| 6     | 703-2734    | 1   |       | Housing Brace Bracket              |
| 7     | 714-0122    | 1   | S     | Square Key, 3/16 x .75             |
| 8     | 714-0126    | 1   | S     | Hi-pro Key, 3/16 x .75             |
| 9     | 703-2736    | 1   |       | Belt Cover                         |
| 10    | 705-5269    | 1   |       | LH Spiral Auger, 40"               |
| 11    | 705-5270    | 1   |       | RH Spiral Auger, 40"               |
| 12    | 710-0157    | 1   | /P    | Hex Cap Screw, 5/16-24 x .75       |
| 13    | 712-0431    | 1   | S     | Flange Lock Nut, 3/8-16            |
| 14    | 710-0260A   | 1   | /P    | Carriage Bolt, 5/16-18 x .62       |
| 15    | 710-0276    | 1   | /P    | Splined Carriage Screw, 5/16-18 x  |
| 16    | 710-3251    | 1   | /P    | Socket Head Cap Screw, 5/16-18     |
| 17    | 710-0604A   | 1   | /P    | Self Tapping Screw, 5/16-18 x .625 |
| 18    | 710-0890A   | 1   | /P    | Shear Bolt, 5/16-18 x 1.5          |
| 19    | 712-0429    | 1   | S     | Hex Lock Nut, 5/16-18              |
| 20    | 712-3010    | 1   | S     | Hex Nut, 5/16-18                   |
| 21    | 718-0691    | 1   | S     | Coupling                           |
| 22    | 712-3057    | 1   | S     | Hex Nut, 5/16-24                   |
| 23    | 715-0114    | 1   | S     | Spirol Pin, 1/4 x 1-1/2            |
| 24    | 710-0514    | 1   | /P    | Hex Cap Screw, 3/8-16 x 1.0        |
| 25    | 717-1714A   | 1   | S     | Right Angle Drive                  |
| 26    | 712-3004A   | 1   | /P    | Flange Lock Nut, 5/16-18           |
| 27    | 736-0188    | 1   | /P    | Flat Washer, .76 x 1.49 x .06      |
| 28    | 736-0231    | 1   | S     | Flat Washer, .344 x 1.125 x .12    |
| 29    | 736-0242    | 1   | /P    | Bell Washer, .340 x .872           |
| 30    | 741-0245    | 1   | S     | Hex Flange Bearing, .75 ID         |
| 31    | 741-0309    | 1   | S     | Flange Ball Bearing, .75 x 1.85    |
| 32    | 710-0216    | 1   | /P    | Hex Cap Screw, 3/8-16 x .75        |
| 33    | 741-0493A   | 1   | /P    | Flange Bushing, .80 x .91          |
| 34    | 784-0396A   | 1   | S     | Skid Plate Bracket, 42"            |
| 35    | 784-5038B   | 1   | S     | Slide Shoe                         |
| 36    | 711-0469    | 1   |       | Spacer, .75 x .125 x .5            |
| 37    | 784-5618    | 1   | S     | Hex Bearing Housing, 1.0           |
| 38    | 784-0402    | 1   | S     | Skid Plate                         |
| 39    | 618-0123    | 1   | S     | RH Reducer Housing (Incl. Ref.     |
| 40    | 618-0124    | 1   | S     | LH Reducer Housing (Incl. Ref. 57, |
| 41    | 703-2733A   | 1   |       | Housing Brace Plate                |
| 42    | 710-0642    | 1   | /P    | Self Tapping Screw, 1/4-20 x .75   |
| 43    | 711-1395    | 1   |       | Spiral Axle, 41.5"                 |
| 44    | 714-0161    | 1   | S     | Hi-Pro Key, 3/16 x 5/8             |
| 45    | 715-0143    | 1   | S     | Spring Spirol Pin, .25 x 1.25      |
| 46    | 717-0528    | 1   | S     | Worm Gear, 20-tooth                |
| 47    | 717-3320    | 1   |       | Worm Shaft                         |
| 48    | 718-0513    | 1   |       | Thrust Collar                      |
| 49    | 721-0325    | 1   |       | Grease Plug                        |
| 50    | 721-0327    | 1   |       | Grease Seal                        |
| 51    | 736-0351    | 1   | S     | Flat Washer, .76 x 1.5 x .030      |
| 52    | 736-0369    | 1   | S     | Flat Washer, .508 x 1.0 x .020     |
| 53    | 736-0617    | 1   |       | Flat Washer, .75 x 1.25 x .0615    |

| Ref # | Part Number | Qty | S/P/F | Description  |
|-------|-------------|-----|-------|--|
| 54    | 741-0150    | 1   | S     | Thrust Bearing, .75 x 1.25 x .078                          |
| 55    | 741-0700    | 1   |       | Flange Bearing, .75 x 1.0 x .59                            |
| 56    | 748-0108    | 1   | S     | Flange Bearing, .503 x .75                                 |
| 57    | 741-0661    | 1   | S     | Flange Bearing, .754 x 1.0 x .925                          |
| 58    | 721-0179    | 1   | S     | Grease Seal  |
| 59    | 754-0125A   | 1   | S     | Lower V-belt   |
| 60    | 756-1181A   | 1   | /P    | Drive Pulley, 7"   |
| 61    | 783-1014A   | 1   | S     | Drive Mounting Bracket                                     |
|       | 783-1291    | 1   | S     | Bracket (Tractors equipped with a 54-inch deck); Not shown |
|       | 756-0627B   | 1   | S     | Pulley (Tractors equipped with a 54-inch deck); Not shown  |
|       | 732-0594A   | 1   | S     | Spring (Tractors equipped with a 54-inch deck); Not shown  |
|       | 710-0347    | 1   | /P    | Bolt (Tractors equipped with a 54-inch deck); Not shown    |
|       | 712-0431    | 1   | S     | Nut (Tractors equipped with a 54-inch deck); Not shown     |
|       | 738-0347    | 1   | S     | Spacer (Tractors equipped with a 54-inch deck); Not shown  |
|       | 736-3072    | 1   | /P    | Washer (Tractors equipped with a 54-inch deck); Not shown  |